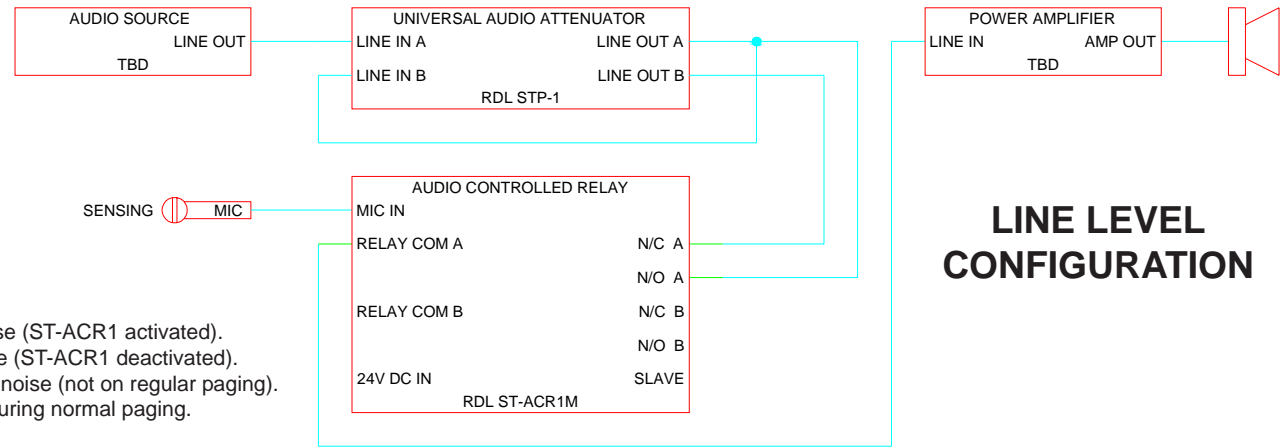
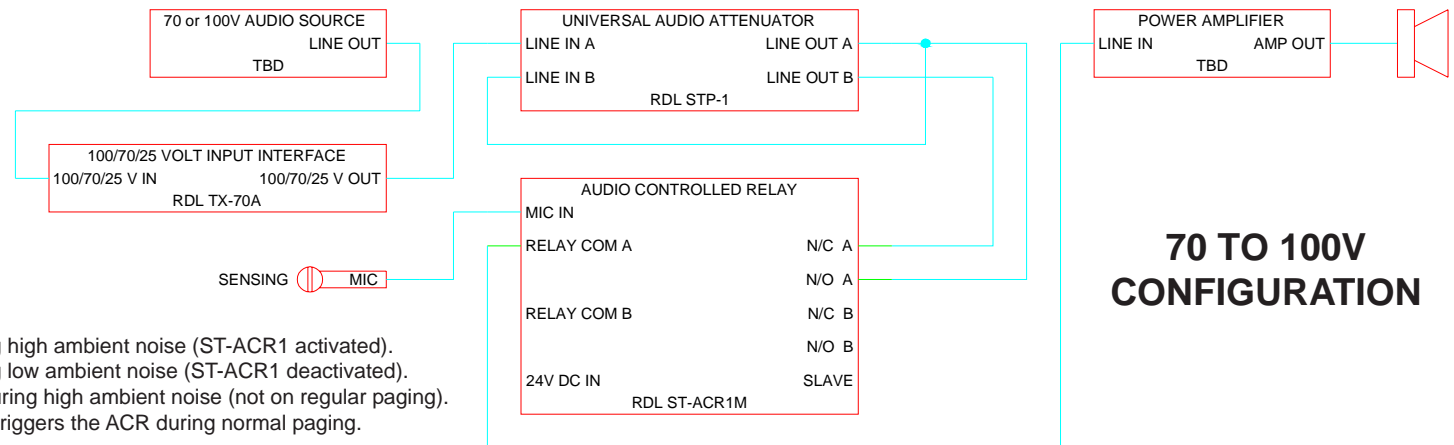


The circuit shown is ideal in applications where paging signals into a power amplifier are normally OK, but at times a high ambient noise level makes the paging impossible to hear. This would be common in a factory setting where heavy machinery is in use at some times, making higher sound system levels necessary while the machinery is operating then again restoring the level to normal when the machinery is no longer operating.



LINE LEVEL CONFIGURATION

Set "A" channel pot on STP-1 for proper level during high ambient noise (ST-ACR1 activated).
 Set "B" channel pot on STP-1 for proper level during low ambient noise (ST-ACR1 deactivated).
 Adjust ST-ACR1 sensitivity control to trigger ACR during high ambient noise (not on regular paging).
 Do not locate sensing mic such that it picks up and triggers the ACR during normal paging.



70 TO 100V CONFIGURATION

Set "A" channel pot on STP-1 for proper level during high ambient noise (ST-ACR1 activated).
 Set "B" channel pot on STP-1 for proper level during low ambient noise (ST-ACR1 deactivated).
 Adjust ST-ACR1 sensitivity control to trigger ACR during high ambient noise (not on regular paging).
 Do not locate sensing mic such that it picks up and triggers the ACR during normal paging.

RDL PRODUCTS

1 STP-1	Universal Attenuator	1 STP-1	Universaldämpfungsglied	1 STP-1	Atenuador Universal	1 STP-1	Atténuateur Universel 2 Voies
1 ST-ACR1M	Audio Controlled Relay	1 ST-ACR1M	Audiogesteuertes Relais	1 ST-ACR1M	Relé Controlado por Audio	1 ST-ACR1M	Relais Commandé par un Signal Audio
1 TX-70A	100/70/25 Volt Input Interface	1 TX-70A	100/70/25V Linepegelabgriff	1 TX-70A	Interfase de Entrada Para Lineas de 25/70/100 voltios	1 TX-70A	Interface d'Entrée en tension 25V, 70V, 100V